

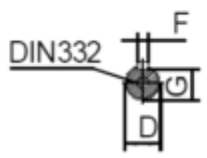
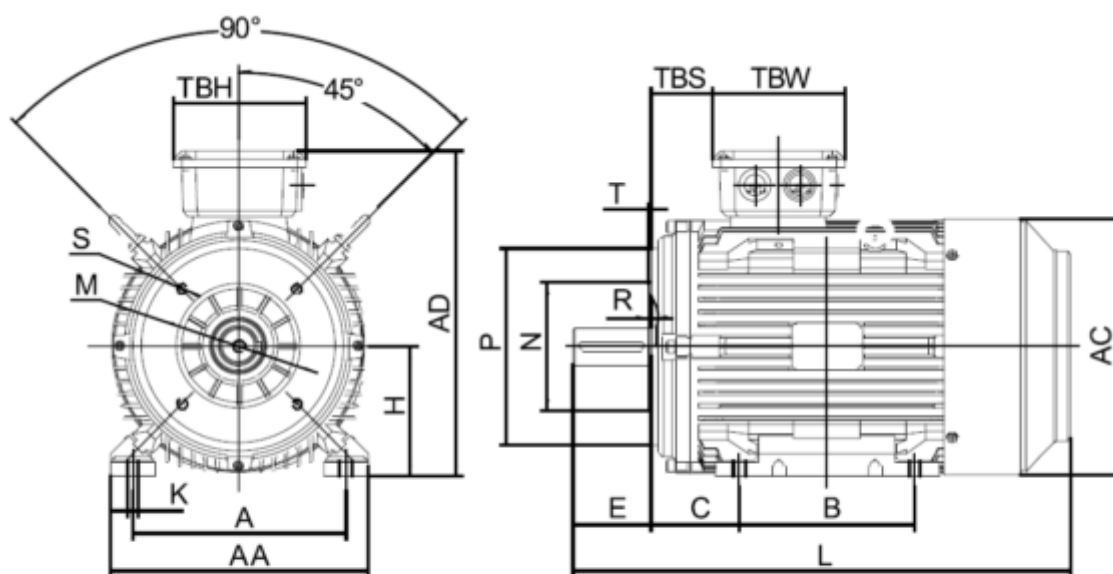
Data Sheet



Article number: 250300110216

Description: Kleedrive T3C 802-2 1.1KW 2800 rpm
3x230/400V 50HZ IP55 B34 Eff=82,7%

Measures



A = 125	F = 6	P = Ø120
AA = 154	G = 15.5	R = 0
AC = Ø158	H = 80	S = -
AD = 214	HD = 134	T = M6
B = 100	K = Ø9	TBH = 114
C = 50	L = 290	TBS = 43
D = Ø19	M = Ø100	TBW = 114
E = 40	N = Ø80	